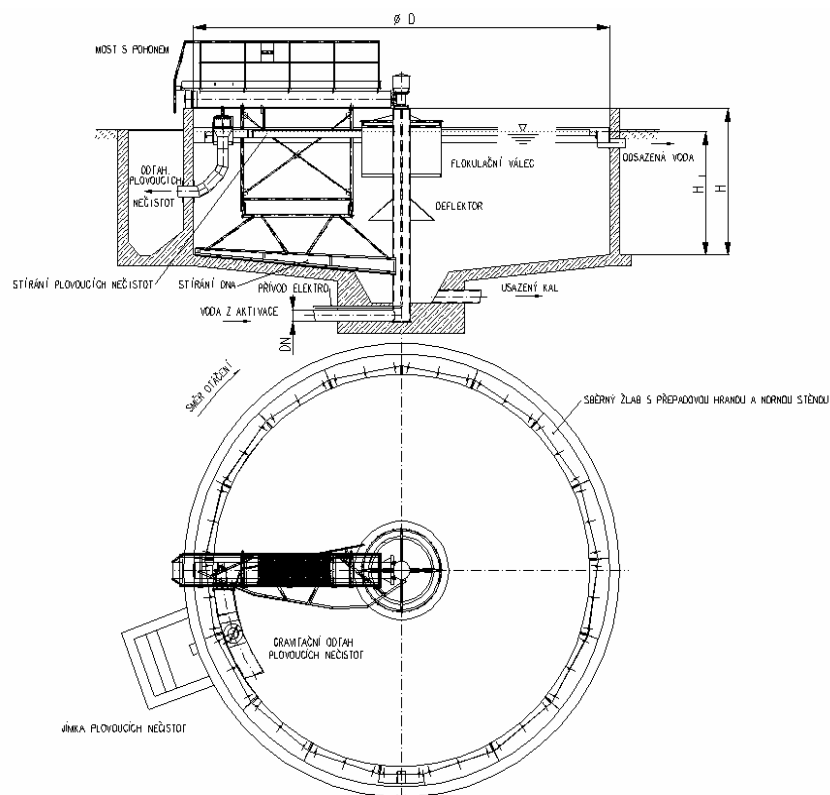




## Type range of sedimentation tanks INKOS



type of equipment		UN 10/3	UN 12/3	UN 15/3	UN 17/3	UN 20/3	UN 25/3	UN 30/3	UN 35/3	UN 40/3
tank inside diameter	Ø D (mm)	10000	12000	15000	17000	20000	25000	30000	35000	40000
tank depth	H (mm)	3550	3550	3550	3550	3550	3550	3550	3550	3550
water depth	H <sub>1</sub>	3000	3000	3000	3000	3000	3000	3000	3000	3000
bottom inclination	%	6	6	6	6	6	6	6	6	6
diameter of inflow pipes	DN (mm)	250	300	400	400	500	600	600	800	800
effective surface F	m <sup>2</sup>	87	113	177	227	314	490	707	962	1256
effective volume V	m <sup>3</sup>	261	339	351	681	942	1470	2121	2886	3768